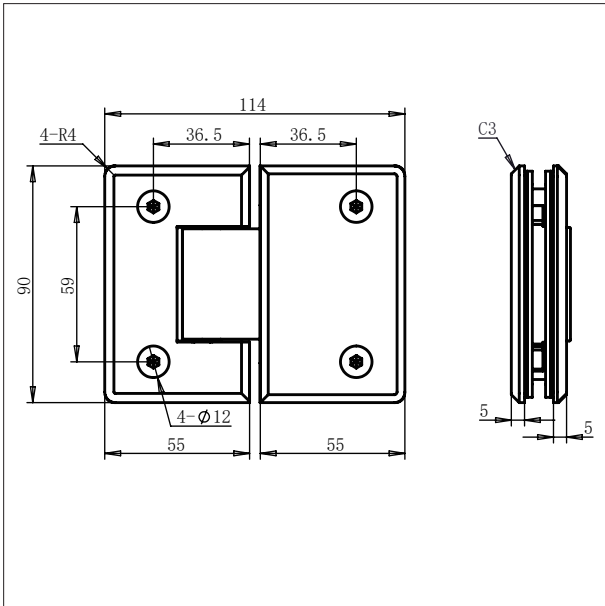


for Shower and glass hardware;

- Installation by qualified and experienced professionals only.
- Ensure the glass door weight is not over 30KGS per hinge.
- Only good quality TEMPERED glass to be used.
- The hinges are suitable for 11-16mm thick flat or curved tempered glass.
- Use rubber gaskets (provided) where possible between glass and hinge.
- Ensure accurate glass cut-out as per hinge dimensions.
- Before installation check the hinge is screwed properly and the joining parts are not loose. DO NOT attempt to disassemble the hinge. Tighten all M6 screws with torque 10-12Nm. Ensure all screws are tightened after installation.
- Before installation, ensure the glass door is vertically aligned to glass panel and both are plumb.
- Draw a plumb line before installation to ensure all hinges installed on the same glass door/panel are of the same axis.
- When the glass door is installed, apply a stable pressure of approximately 50% extra weight of the glass on it, then inspect the hinges are functioning properly, rotate smoothly and the self-closing feature is functioning under pressure.
- Installation of glass clamps are suitable for 8-12mm thick flat or curved tempered glass.
- Avoid installation on hollow or weak walls.
- Check the wall is level, vertical and with a slanting degree not greater than 2:1000.
- Ensure the holes drilled on wall should not be larger than $\varnothing 8\text{mm}$.
- Installation of glass-to-glass frameless glass door hinges:
 - The gap between glass panel and glass door should be within 2-4mm and must not be less than 2mm while the glass door swings.
 - Allow more space between glass panel and glass door if door seal is used, ensure the door swings smoothly.
 - Contacts between metal and glass must be cushioned by gaskets.

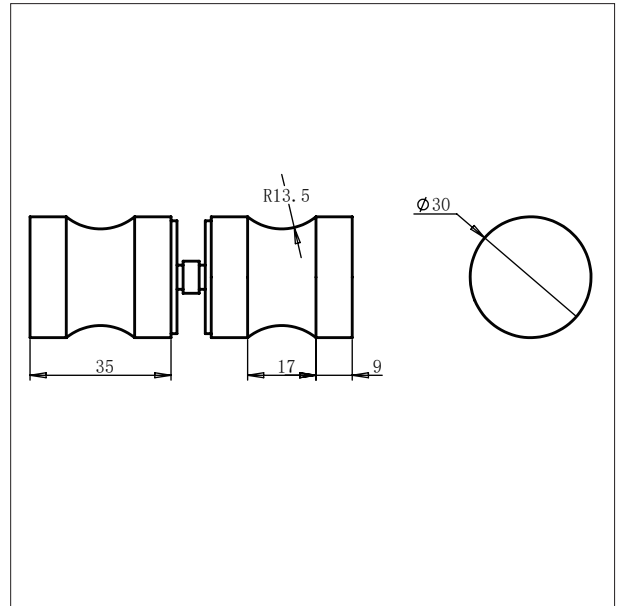
INSTALLATION MANUAL

for Shower and glass hardware;



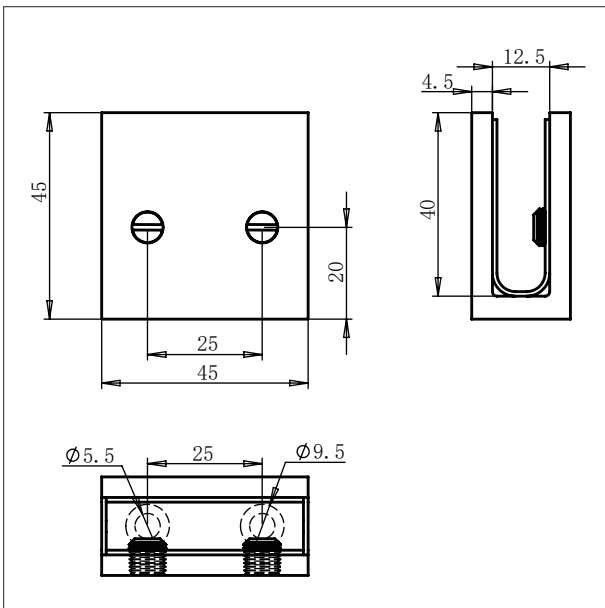
Glass to glass shower hinge

M457-1



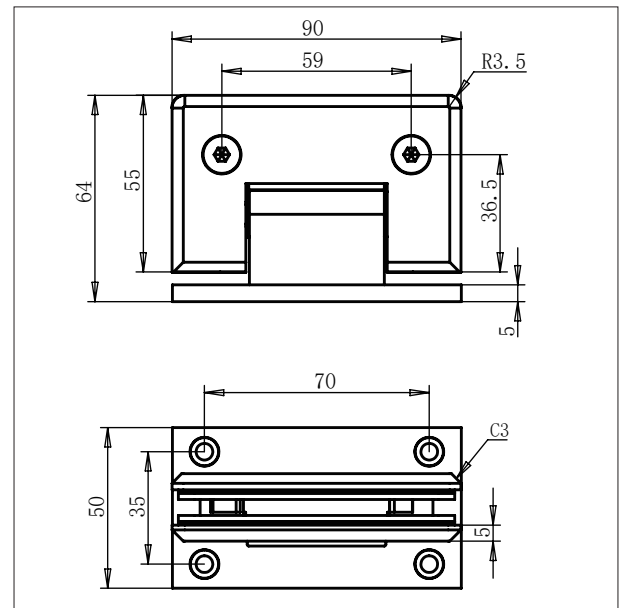
Shower door handle

M459-1



Shower glass clamp

M458-1



Glass To Wall Shower Hinge

M457-2