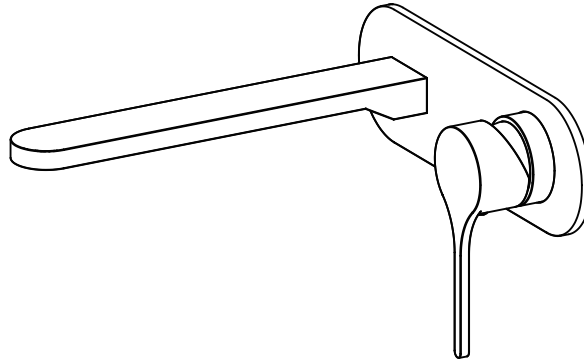


*Please carefully read all installation instructions.
Failure to comply with manufacturer's recommendations will void warranty.

The installation instructions apply to the following products :



Important Information

It is recommended that this product is installed by a qualified plumber.
Please remove all packaging and check this product to ensure it has not been damaged or any parts are missing.
Before installing please make sure this is the correct model and you have all the parts required for installation and usage.
The product must be installed in accordance with AS/NZS 3500.
This product complies with WELS requirements.

Operating Information

Operating Pressure:	Operating Temperature:
Minimum operating pressure 50kPa.	Minimum operating temperature 4 C .
Maximum operating pressure 800kPa.	Maximum operating temperature 80 C .

Recommended operating pressure (150-500kPa).
Pressures over 500kPa require a regulating valve.

Mains Pressure Recommended. Pressures over 800kpa are not recommended for long term use.

Pre-Installation

1. Before installing the mixer, flush through the pipe work to remove any debris & other impurities that can enter the tap.
2. Turn off water supply at the isolation valves before commencing with work.
3. It is recommended that isolation valves are installed for future servicing.

Warranty Requirements

For full warranty terms and conditions please visit the warranty section of our website.
Please pay attention to the below. Failure to do so will void your warranty:

1. Do not use acid cleansers
2. Do not use abrasive cleansers
3. Do not use abrasive cloths

Maintenance & Care

To avoid damage it is necessary to consider the below guidelines.

1. To clean the mixers surface use clean hot soapy water. ONLY use soft fabric cloths.
2. DO NOT use cleaning solutions that contain hydrochloric acid, formic acid, concentrated caustic soda, chlorine or acetic acid as they can cause considerable damage.
3. DO NOT use any coarse cleaning powders or brushed to clean the mixer.
4. If there is irregular water pressure & water flow is reduced, please check if the spout is clean or not , if not , please brush the spout after vinegar soaking.

PLEASE MAKE SURE YOU FULLY TEST YOUR PRODUCT BEFORE TILING ETC.
WE WILL NOT BE RESPONSIBLE FOR ANY COSTS INVOLVED IN REMOVAL OF
THE TAP IF YOU FIND THERE IS A FAULT.

Installation

Get all accessories ready according to picture (1) the Below side is for hot water inlet, and the right-hand side for cold water inlet. (Please note Below & RH side is when viewing the product from the front).

1. Fitting mixer main body in desired position and connect hot and cold pipework to it.
*After fixing the mixer, turn it on to check if there is any leaking.
2. Opening size and embedding depth please refer to the below installation steps.
3. Attaching the cover plates together.
5. Attaching the mixer handle with Alen Key
5. After installation, allow the mixer to run and inspect for any leaks.

Installation steps

