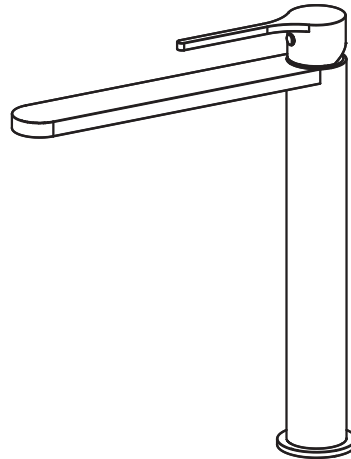


The installation instruction apply for below products :



Important Information

It is recommended that this product is installed by a qualified professional.

Please remove all packaging and check this product to ensure it has not been damaged or any parts are missing.

Before installing please make sure this is the correct model and you have all the parts required for installation and usage.

The printed picture is for reference only, this product is according to the actual goods.

Please check all the accessories are present.

Always read these instructions carefully and keep for future reference

Operating Information

Operating Pressure

Minimum operating pressure 0.5 bar

Maximum operating pressure 8 bar

Pre-Installation

1. Before installing the mixer, flush through the pipe work to remove any debris & other impurities that can enter the tap.
2. Turn off water supply at the isolation valves before commencing with work.
3. To avoid damage, please make sure the water inlet flexible pipes are not twisted when in use.

Warranty Requirements

For full warranty terms and conditions please visit the warranty section of our website.

Please pay attention to the below. Failure to do so will void your warranty:

1. Do not use acid cleansers
2. Do not use abrasive cleansers
3. Do not use abrasive cloths

Maintenance & Care

To avoid damage it is necessary to consider the below guidelines.

1. To clean the mixers surface use clean hot soapy water. ONLY use soft fabric cloths.
2. DO NOT use cleaning solutions that contain hydrochloric acid, formic acid, concentrated caustic soda, chlorine or acetic acid as they can cause considerable damage.
3. DO NOT use any coarse cleaning powders or brushed to clean the mixer.
4. If there is irregular water pressure & water flow is reduced, please check if the spout is clean, if not brush the spout after vinegar soaking.

PLEASE MAKE SURE YOU FULLY TEST YOUR PRODUCT BEFORE TILING ETC.
WE WILL NOT BE RESPONSIBLE FOR ANY COSTS INVOLVED IN REMOVAL OF
THE TAP IF YOU FIND THERE IS A FAULT.

Installation

Get all accessories ready according to picture (1) the left-hand side is for hot water inlet, and the right-hand side for cold water inlet. (Please note LH & RH side is when viewing the product from the front).

1. Please drill the installation holes for the mixer ($\varnothing 35 - \varnothing 38\text{mm}$)

2. Place the mixer above the install hole. Insert the two hose to the mixer from below and secure it in place with the sleeve and match the indicator on the handle.

3. Tighten the mixer fixing accessories

4. Please connecting the hot and cold water hose to the wall water outlet angle valve.

*After installation, allow the mixer to run and inspect for any leaks.

Installation steps

