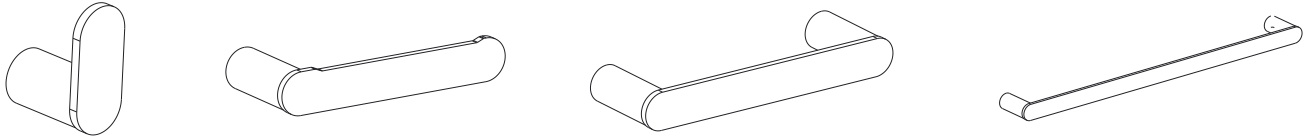


The installation instruction apply for below products :



WARRANTY REQUIREMENTS

For full warranty terms and conditions please visit the warranty section of our website. Please pay attention to below. Failure to do so will void your warranty.

1. Do not use acid cleansers
2. Do not use abrasive cleansers
3. Do not use abrasive cloths

Maintenance and Care

- Clean the surface frequently or on a regular basis to keep it bright and lustre.
- Clean the Bathroom accessories by using clean water, soft fabric and clear glass cleaner, mild detergent or non-abrasive liquid polish.
- DO NOT use acidic or harsh cleaners as this can corrode the Bathroom accessories surface.
- DO NOT use any coarse cleaner, powder, or brush to clean the Bathroom accessories.
- After cleaning, rinse the tapware again thoroughly and dry with a soft cotton cloth.

Installation

1. Measure the distance between the fixings on the base of the accessory and transfer these measurements onto the wall. Measure an equal distance down from the bottom of a tile and mark the measurements to make sure they are even and level. Using the Allen key provided, remove the plates from your accessory.
2. Now drill into the mark measurements, right through the tiles into the wall and insert the wall plugs into your holes.
3. Using your drill, screw the plates into the wall plugs so that they are flush with the tiles.
4. Connect the accessory to the plates on the wall. Tighten it using the Allen key. Then check that the accessory is level. Finally, check that the accessory is straight, using your spirit level. If not, then you will need to make some adjustments.

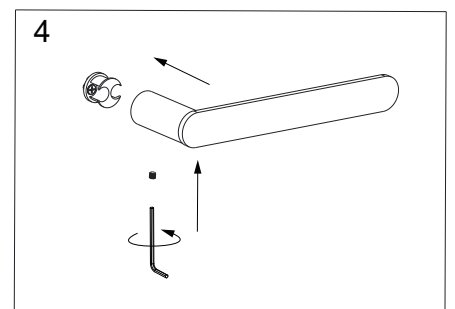
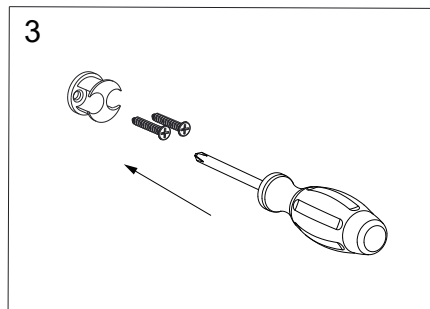
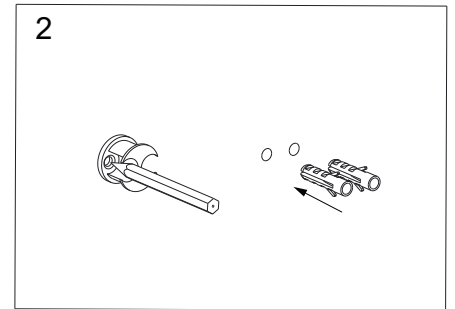
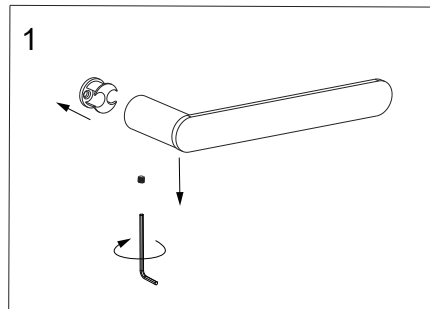
Single stand product INSTALLATION:

1. Measure the distance between the fixings on the base of the accessory and transfer these measurements onto the wall. Measure an equal distance down from the bottom of a tile and mark the measurements to make sure they are even and level. Using the Allen key provided, remove the plates from your accessory.

2. Now drill into the marked measurements, right through the tiles into the wall and insert the wall plugs into your holes.

3. Using your drill, screw the plates into the wall plugs so that they are flush with the tiles.

4. Connect the accessory to the plates on the wall. Tighten it using the Allen key. Then check that the accessory is level. Finally, check that the accessory is straight, using your spirit level. If not, then you will need to make some adjustments.



Dual bracket product INSTALLATION:

1. Measure the distance between the fixings on the base of the accessory and transfer these measurements onto the wall. Measure an equal distance down from the bottom of a tile and mark the measurements to make sure they are even and level. Using the Allen key provided, remove the plates from your accessory.

2. Now drill into the marked measurements, right through the tiles into the wall and insert the wall plugs into your holes.

3. Using your drill, screw the plates into the wall plugs so that they are flush with the tiles.

4. Connect the accessory to the plates on the wall. Tighten it using the Allen key. Then check that the accessory is level. Finally, check that the accessory is straight, using your spirit level. If not, then you will need to make some adjustments.

