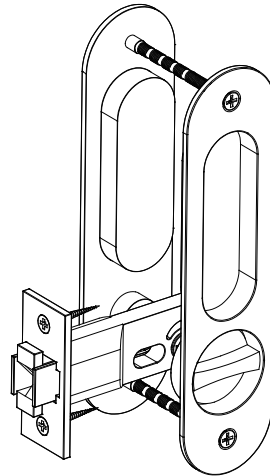


The installation instruction apply for below products :



WARRANTY REQUIREMENTS

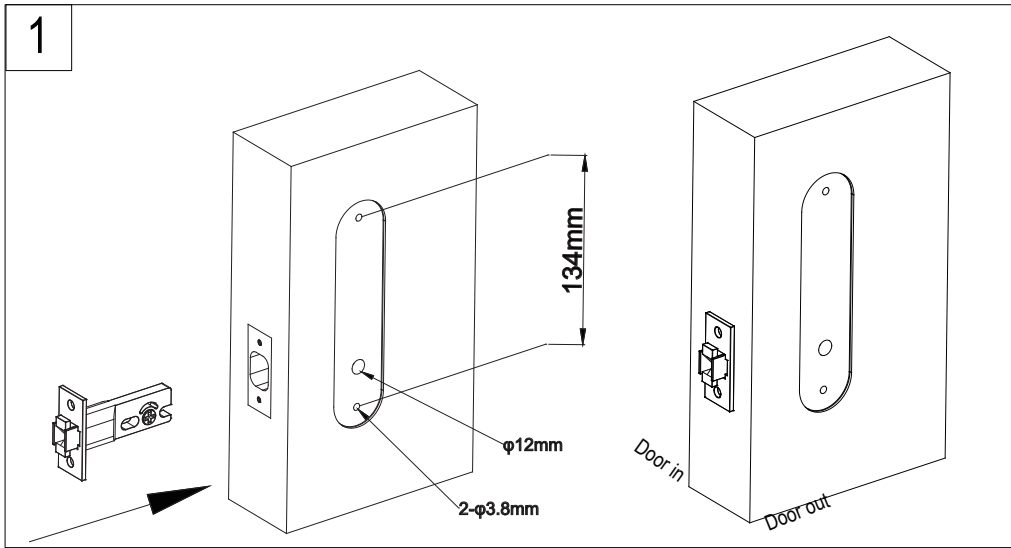
For full warranty terms and conditions please visit the warranty section of our website. Please pay attention to below. Failure to do so will void your warranty.

1. Do not use acid cleansers
2. Do not use abrasive cleansers
3. Do not use abrasive cloths

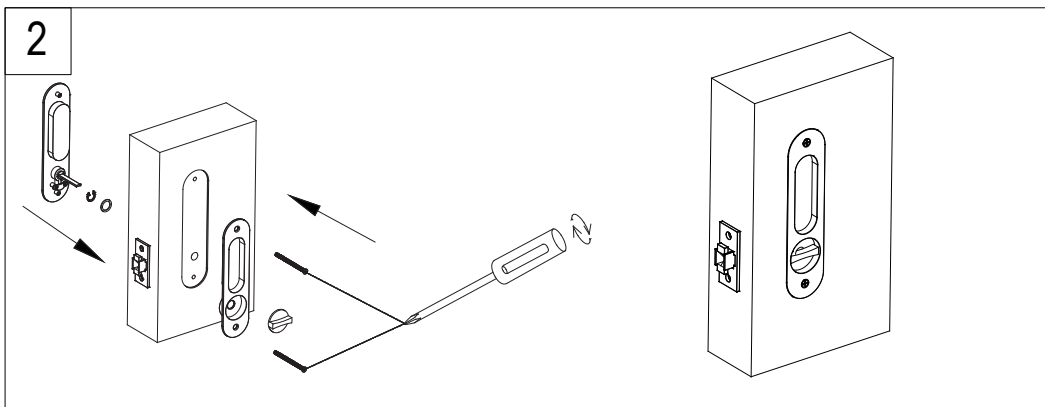
Maintenance and Care

- Clean the surface frequently or on a regular basis to keep it bright and lustre.
- Clean the Bathroom accessories by using clean water, soft fabric and clear glass cleaner, mild detergent or non-abrasive liquid polish.
- DO NOT use acidic or harsh cleaners as this can corrode the Bathroom accessories surface.
- DO NOT use any coarse cleaner, powder, or brush to clean the Bathroom accessories.
- After cleaning, rinse the tapware again thoroughly and dry with a soft cotton cloth.

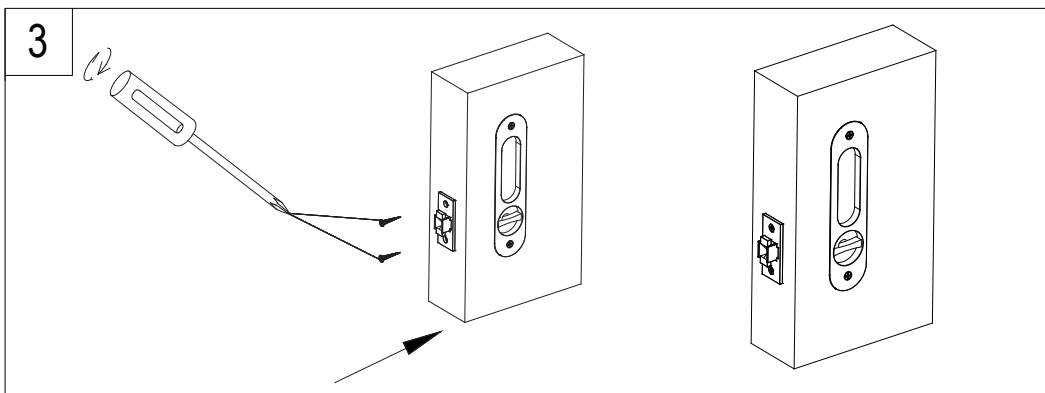
DOOR HANDLE INSTALLATION INSTRUCTIONS



- 1.1 Drill the holes on the door panel according to door handle size.
- 1.2 Insert the Lock cylinder.



- 2.1 Place the handle plate, the pad plate and the handle in their respective positions.
- 2.2 Tighten the screw and nut.



- 3.1 Tighten the screws at the lock core position.