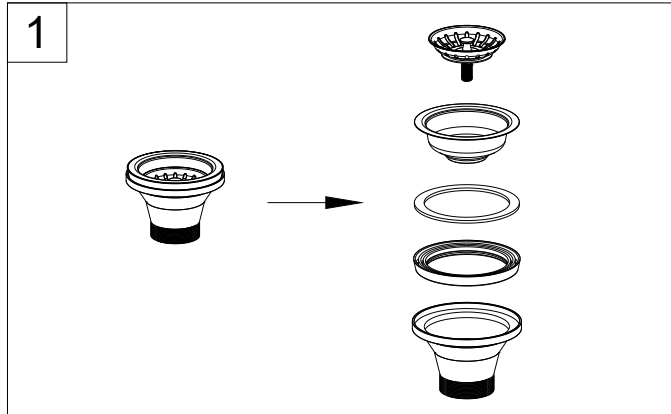
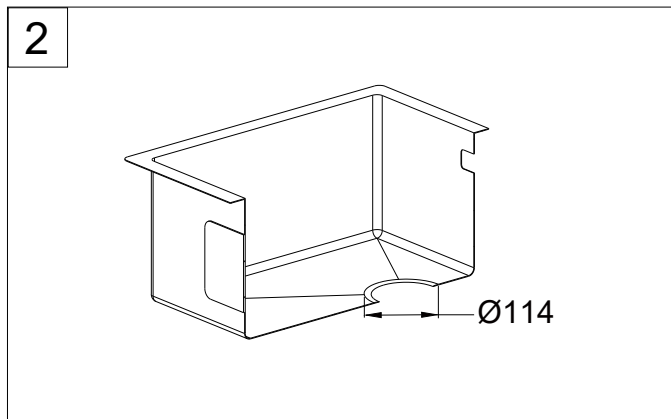


FLOOR DRAIN INSTALLATION INSTRUCTIONS

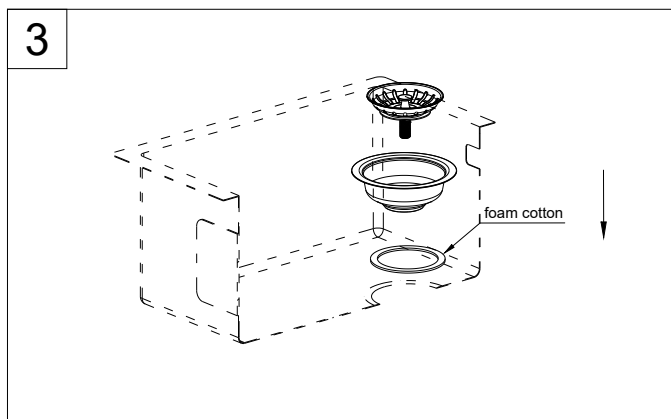
Installation is to comply with AS/NZS 3500.1 and AS/NZS 3500.2 Standards.
Any inconsistencies or doubts about the quality of the seal should be inspected by a certified plumber.



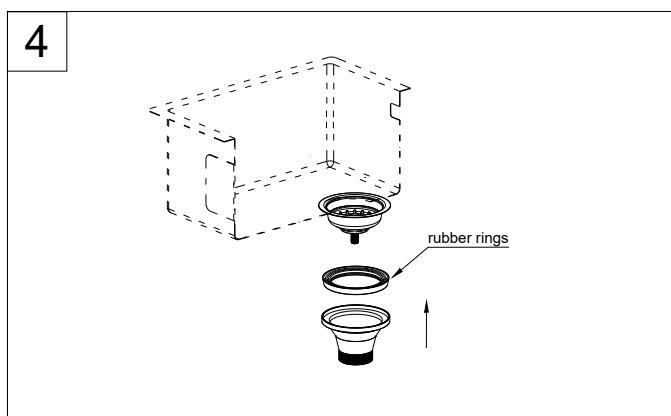
1. Disperse the product.



2. Confirm the size of the mounting holes in the sink.



3. The parts are mounted on top through the holes in the sink. (Note that there are foam cotton in the middle.)



4. Tighten the underdeck parts from under the sink. (Note that there are rubber rings in the middle.)