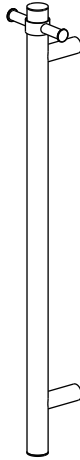


The installation instruction apply for below products :



Warning:

1. Do not put this product in water or any liquid. Please keep away from the bathtub or spray directly when using it.
If the product is dropped into water or gets wet, please cut off the power immediately and do not continue to use it.
2. It is forbidden for children to play, use or touch this product alone.
3. Do not touch or close this product with flammable or explosive objects.
4. If the product fails, please do not continue to use it; it is forbidden to disassemble or repair this product by yourself.
If there is any damage, please contact customer service staff in time.
5. It is forbidden to modify or disassemble the product without authorization.
6. If the power cord is damaged, it must be replaced by a maintenance department or a professional.
7. Do not touch the heating surface and sharp objects with the power cord.
8. Do not use this product for other purposes.
9. This product is for indoor use only, and outdoor use is prohibited.
10. Please disconnect the power supply in time when encountering thunder and lightning, and it is forbidden to use it.
11. The power supply must be properly grounded when in use, and it must be installed on a line with a leakage protector (or use a power cord with a leakage protector)

Notice:

1. The product cannot hang heavy objects other than towels and bath towels.
2. There are heating devices inside the pipe fittings for hanging towels. For normal work and safe use, do not shake or twist the pipe fittings by hand or other methods.
3. The product is a heating and drying product, and the highest temperature of the surface of the pipe fitting to hang the towel will reach about 60 degrees. When using it, pay attention to the tender skin or the touch of the child to avoid feeling uncomfortable.

Instructions for safe use

Details concerning precautions during user maintenance

The instructions state that:

the appliance is not to be used by persons (including children) with reduced physical, sensor or mental capabilities, or lack of experience and knowledge unless they have been given supervision or instruction. Children being supervised not to play with the appliance. For a part of class III construction supplied from a detachable power supply unit, the instructions state that the appliance is only to be used with the unit provided. Instructions for class III appliances state that it must only be supplied at SELV, unless it is a battery-operated appliance, the battery being charged outside the appliance.

For appliances for altitudes exceeding 2000 m, the maximum altitude is stated:

The instructions for appliances incorporating a functional earth state that the appliance incorporates an earth connection for functional purposes only.

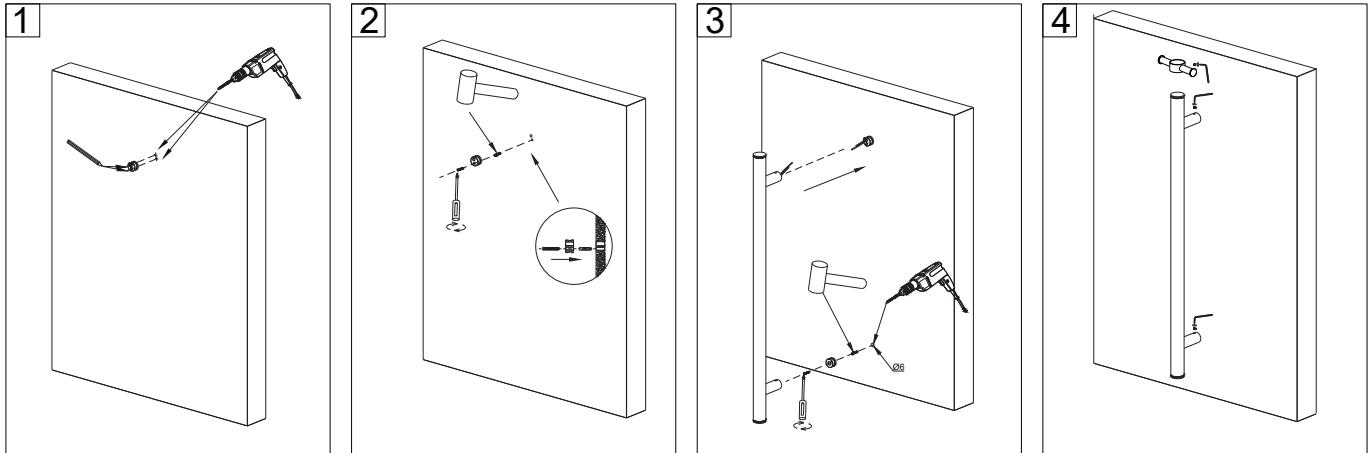
THIS PRODUCT IS FOR ELECTRICAL APPLIANCE.
 INSTALLATION MUST BE BY PROFESSIONAL ELECTRICIAN.
 IF ELECTRICIAN HAS ANY QUESTIONS,PLEASE DO CONTACT YOUR LOCAL
 SALES FOR INQUIRY FROM MANUFACTURER.

Installation

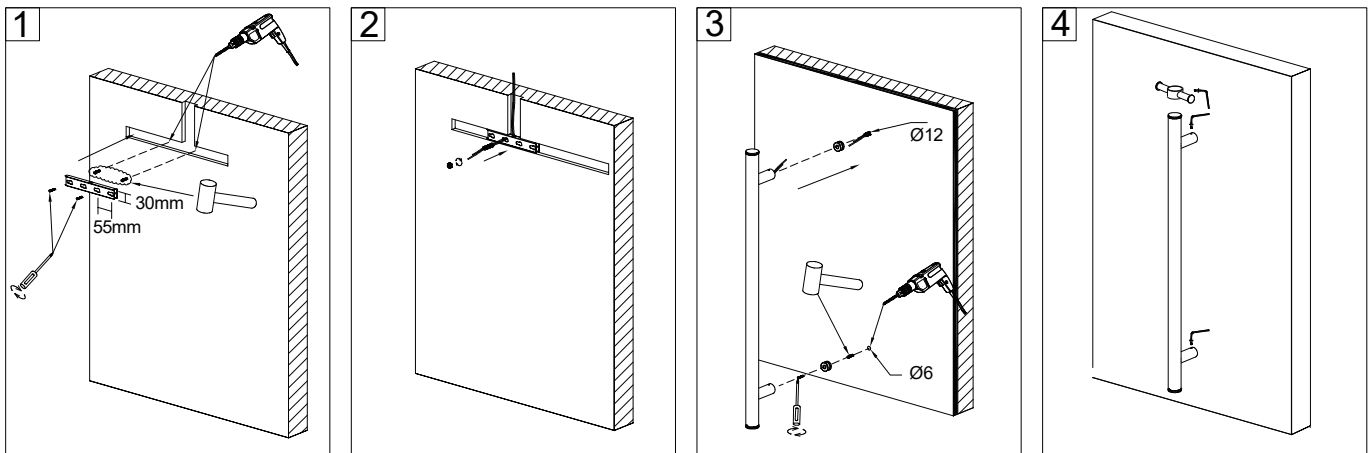
Switching Power Supply on the Ceiling,SUGGESTION FOR INSTALLATION:
 Distance from Hot Towel Rail to Switching Power Supply within 10 METERS.

1. Mount the mainbody into the wall according to the actual size. Make sure the screw position, Fit the mainbody.
2. Go through the wire into the mainbody, screw up and tighten.
3. Please opening the size accordingly BEFORE tiled, Tiled and leave the Screw thread and wires out of the holes.
 Tighten the mounting base. Simulate product installation and confirm the hole position and put on the mounting base, then tighten. Line out the product wall, connecting positive to positive, negative to negative.
4. Install the product with the wire connected on the mounting base and tighten the screws on the side.

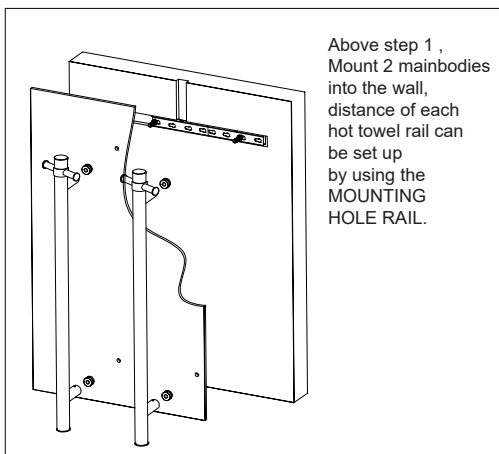
Installation steps Option A:



Installation steps Option B:



For 2 Hot Towel Rails Installation:



SPECIAL REMINDER:

- ATTNTIONS:
1. The product is DC power supply.
 2. Pay more attention when wiring and power supply for positive and negative electrode, and corresponding wiring is required.



Installation wall positioning
 and power supply location
 selection
 (must avoid wires and water pipes)

