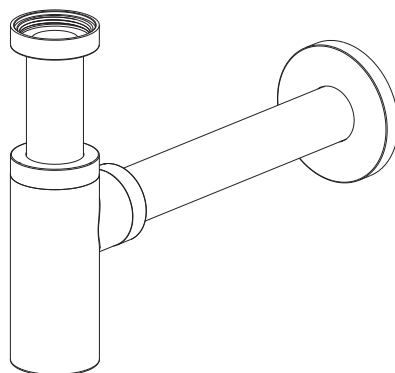


INSTALLATION MANUAL

*Please carefully read all installation instructions.
Failure to comply with manufacturer's recommendations will void warranty.

The installation instructions apply to the following products :



Important Information

It is recommended that this product is installed by a qualified plumber.
Please remove all packaging and check this product to ensure it has not been damaged or any parts are missing.
Before installing please make sure this is the correct model and you have all the parts required for installation and usage.

Pre-Installation

1. Before installing the mixer, flush through the pipe work to remove any debris & other impurities that can enter the tap.
2. Turn off water supply at the isolation valves before commencing with work.
3. To avoid damage, please make sure the water inlet flexible pipes are not twisted.
4. Do not pressure test valves in the open position as this will damage the cartridge.
5. It is recommended that isolation valves are installed for future servicing.

Warranty Requirements

For full warranty terms and conditions please visit the warranty section of our website.
Please pay attention to the below. Failure to do so will void your warranty:

1. Do not use acid cleansers
2. Do not use abrasive cleansers
3. Do not use abrasive cloths

Maintenance & Care

To avoid damage it is necessary to consider the below guidelines.

1. To clean the mixers surface use clean hot soapy water. ONLY use soft fabric cloths.
2. DO NOT use cleaning solutions that contain hydrochloric acid, formic acid, concentrated caustic soda, chlorine or acetic acid as they can cause considerable damage.
3. DO NOT use any coarse cleaning powders or brushed to clean the mixer.
4. If there is irregular water pressure & water flow is reduced, please check if the spout is clean or not , if not , please brush the spout after vinegar soaking.

PLEASE MAKE SURE YOU FULLY TEST YOUR PRODUCT BEFORE TILING ETC.
WE WILL NOT BE RESPONSIBLE FOR ANY COSTS INVOLVED IN REMOVAL OF
THE TAP IF YOU FIND THERE IS A FAULT.

Installation

1. According to the site construction, pre-moded position of the sewage outlet
Pay attention to the position of the Sewage pipe, needs to be center point of
the bottle trap in a line perpendicular to the ground.
2. Make sure the drain pipe to proper size according to the figure
3. Remove the horizontal pipe of the bottle trap and plug it into the embedded sewage outlet first.
4. Install the main body of the bottle trap as shown in the figure. Make sure and test there won't have any leakage
Installation completed!

Installation steps

