

INSTALLATION MANUAL

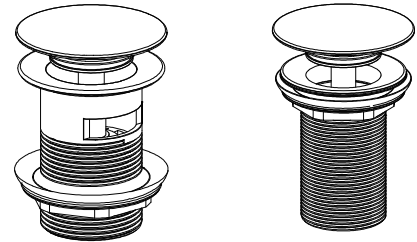
*Please carefully read all installation instructions.
Failure to comply with manufacturer's recommendations will void warranty.

The installation instructions apply to the following products:

WARRANTY REQUIREMENTS

For full warranty terms and conditions please visit the warranty section of our website.
Please pay attention to below. Failure to do so will void your warranty.

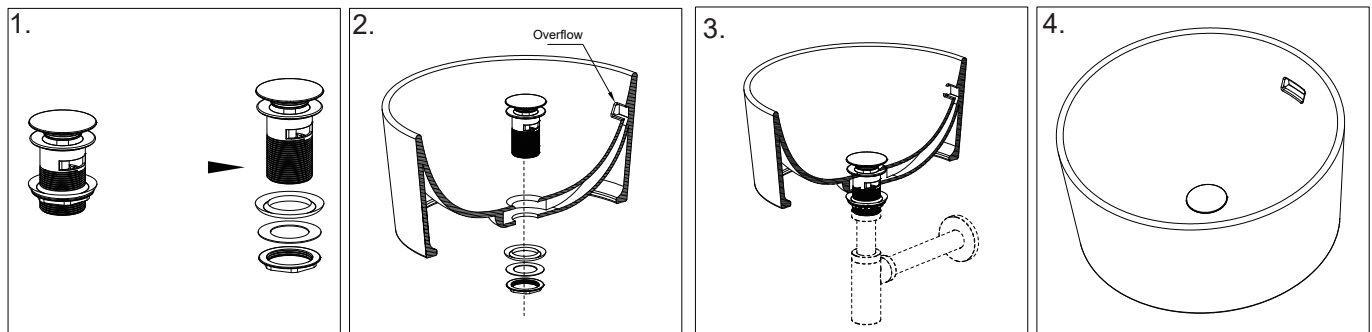
1. Do not use acid cleaner
2. Do not use abrasive cleaner
3. Do not use abrasive cloths



HOW TO CLEAN YOUR AQUAROC BRASSWARE

- Use a soft microfibre cloth with warm soapy water to clean.
- Use a mild limescale remover, such as viakal if you live in a hard water area and are experiencing issues with limescale.
- Ask your plumber to take great care during installation, as this is the time that scratches will most likely occur.

Installation steps with overflow port:



Installation steps without overflow port:

